

FRC Global Furnace Refractories

Innovation

High Temp

FRC
Global

Expert Teams.

Global Networks.

Quality Products.

Who We Are

FRC Global is a leading supplier of refractories, electrodes, and high temperature combustion systems.

FRC Global provides outstanding results for our clients within the iron, steel, and non-ferrous industries. Our company's reputation is built by delivering high quality products made with premium raw materials. We are more global now than ever before.

We give you a competitive advantage by offering you superior proven products that positively impact your bottom line and perform better. Our knowledgeable engineers ensure the proper application of our products to give you the maximum level of output and safety.

With over 25 warehouse facilities in the United States, Canada, Mexico, and South America we assure your products are readily available when you need them in these regions.

Through the use of vast global resources, all of us at FRC Global are committed to being the value creators and problem solvers for our industry.

Mission Statement

Embrace modern technology to increase innovation, efficiency, and transparency. Inspire the next generation by driving change, promoting curiosity, and shaping sustainable solutions in the high temp world.



About Us



Background information

FRC Global is a second generation family owned company with a 30-year history.

FRC Global has offices, agents, or partners in 20 countries around the world.

Global Offices:

- ◆ North America: United States and Canada
- ◆ South America: Colombia
- ◆ Asia: China

We provide quality engineered products and services for all your high temperature applications.

FRC Global facts

Our quality control employees thoroughly inspect shipments to ensure products are within specification and are properly packaged.

Sales force and service needs are available in the following:

- ◆ North America
- ◆ Central America
- ◆ South America
- ◆ Europe
- ◆ Middle East

Why FRC Global?

Why Us

Our experts and service staff are there for you when you need it. We will be present at furnace relines and delines. We can provide a product performance report upon request.

Our goal is to study your operation, propose solutions, and ultimately lower your cost per ton of metal produced.

Global operations enable us to competitively provide all products for any area of the furnace. Additionally, FRC Global can supply equipment such as frit machines, mixers and gunning apparatus as required.

Our strong relationships with global enterprises, primarily in strategic raw materials ensure availability, price stability and consistent high quality.

We have on-staff engineers, product managers and quality control teams who travel around the world to produce high-end products from only the best raw material to generate superior results for our customers.



Providing Solutions



Providing high temperature solutions for your melting and/or refining furnace

- ◆ We are positioned to supply all of your refractory requirements in this area.
- ◆ We offer brick in magnesia-carbon, magnesia-alumina carbon and burned magnesite with or without tar impregnation.
- ◆ For induction furnaces, we have a nearly complete catalog of dry-vibratables, excluding pure quartz systems.
- ◆ Our plants are ISO 9001 certified and own/control their raw material feedstocks.
- ◆ We supply a full range of hot- and cold-repair specialties, as well as pre-cast shapes and masses to complete and maintain your installation.

Understanding your needs

- ◆ We are your answer to furnace availability and refractory cost per ton of metal produced.
- ◆ We provide reliable and consistent refractory supply, performance and the most advanced furnace refractories the world has to offer.
- ◆ Our company delivers excellent service before, during and after the brick is installed.

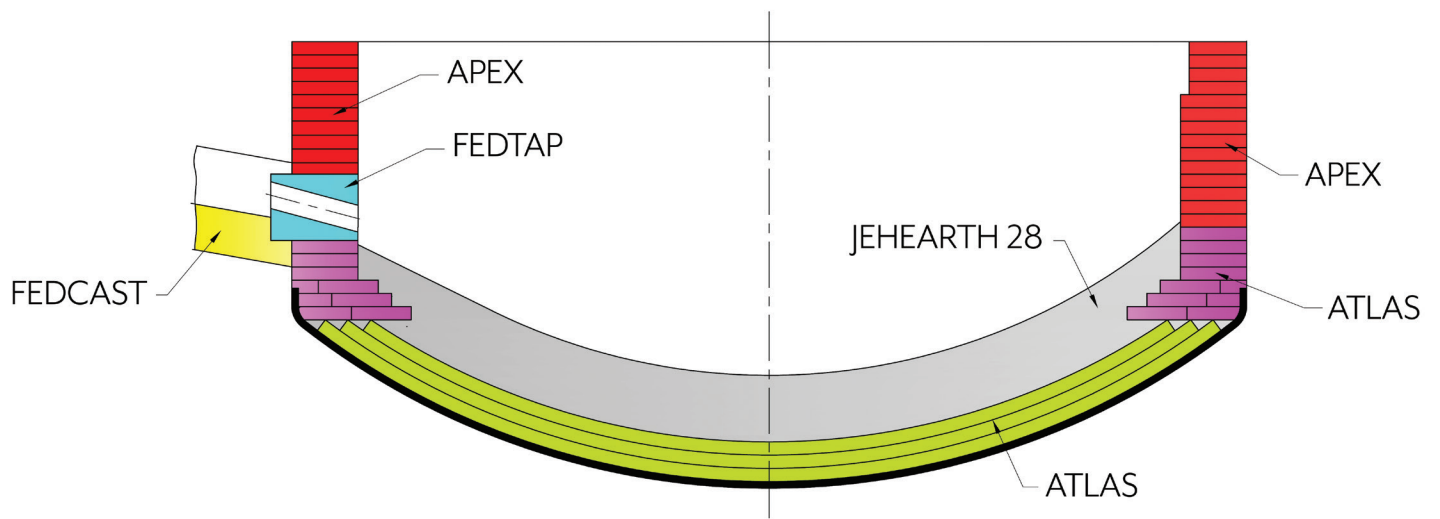
EAF Product Line

Product	Chemical analysis % by weight approximate						B. Density g/cm ³	CCS psi	App. Por. %
	MgO	Cr ₂ O ₃	Al ₂ O ₃	Fe ₂ O ₃	CaO	SiO ₂			
Stadium Brick									
ATLAS 92	>92		1.0	1.0	2.0	<4	2.92	6498	<18
DURACHROME® 60	62.0	17.0	8.2	10.2	1.5	1.1	3.08	5507	17.0
Subhearth Brick									
ATLAS 95	>95.1		0.8	0.8	<1.4	<2	3.00	7971	<18
Cold Spot Brick* any carbon available upon request									
APEX® 5	95.0	---	0.2	1.9	2.4	0.6	2.85	>3200	~3.0
APEX® 6	96.0	---	0.5	0.7	1.9	0.9	2.88	>3800	~3.0
Hot Spot Brick* any carbon available upon request									
APEX® 7	97.1	---	0.2	0.3	1.8	0.6	2.96	>3800	~3.0
APEX® 8	97.6	---	0.2	0.2	1.4	0.6	3.01	>4000	~2.0
Taphole									
FEDTAP 80	>98	---	0.2	0.2	1.2	0.4	3.00	>5797	~4

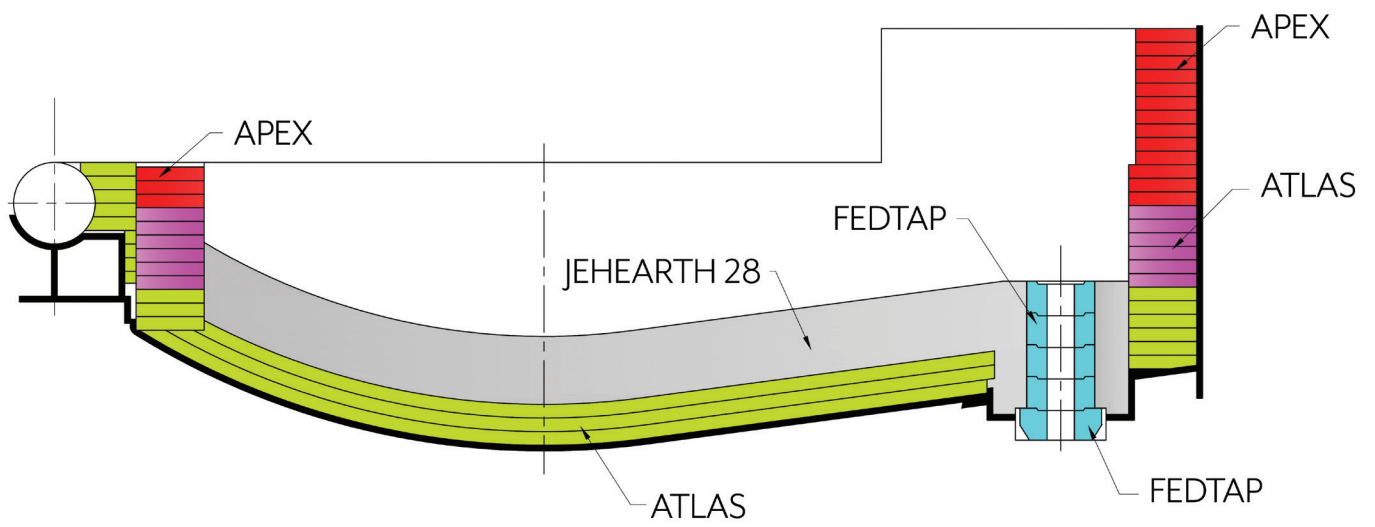
*antioxidants available, magnesite portion only

Furnace Bottom Material	Chemical analysis % by weight approximate						B. Density Kg/dm ³	Application	Bond
	MgO	Cr ₂ O ₃	Al ₂ O ₃	Fe ₂ O ₃	CaO	SiO ₂			
JEHEARTH 355D	84.0	---	0.3	4.2	10.0	0.9	2.7	Cold	Ceramic
JEHEARTH 28	79.7	---	0.5	5.0	14.0	0.8	2.7	Cold	Ceramic

AC Conventional Tapping

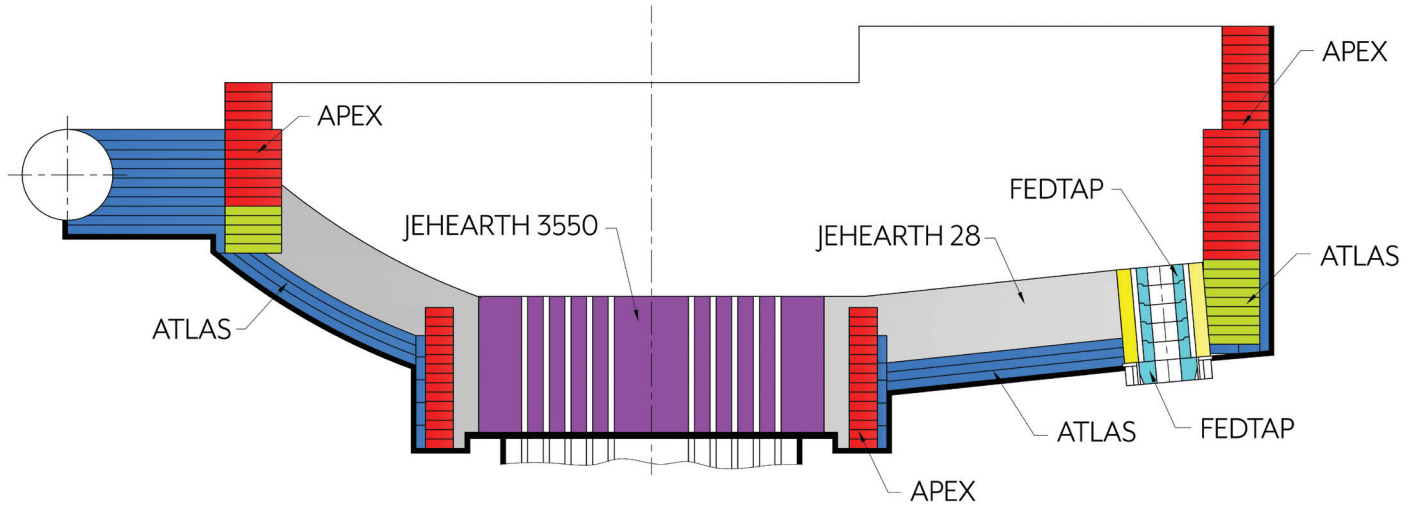


EBT AC EAF

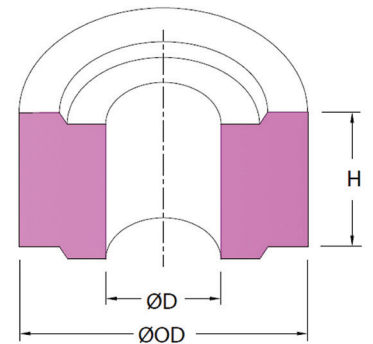


EBT DC EAF

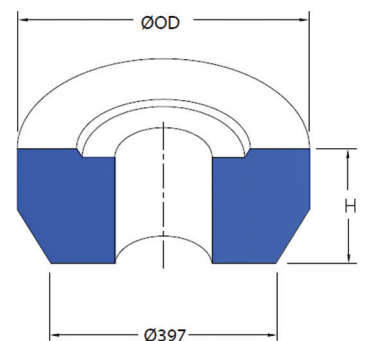
Any carbon available upon request



Taphole					
Symbol	Dimension (mm)			Volume	
	ID	OD	H	dm ³	in ³
FS 350/130	130	350	150	12.37	754.86
FS 350/140	140			12.12	739.39
FS 350/150	150			11.72	715.2
FS 350/160	160			11.36	693.23
FS 350/170	170			10.97	669.43
FS 350/180	180			10.56	644.41
FS 350/200	200			9.67	590.10
FS 350/220	220			8.69	530.30
FS 350/130-2	130	350	200	16.49	1006.49
FS 350/140-2	140			16.16	985.86
FS 350/150-2	150			15.63	983.60
FS 350/160-2	160			15.15	924.31
FS 350/170-2	170			14.63	892.57
FS 350/180-2	180			14.08	859.21
FS 350/200-2	200			12.89	786.80
FS 350/220-2	220			11.59	707.06



End Block					
FE 130	130	450	180	24.13	1472.50
FE 140	140			23.79	1451.75
FE 150	150			23.43	1429.78
FE 160	160			23.04	1405.98
FE 170	170			22.62	1380.35
FE 180	180			22.18	1353.50
FE 200	200			21.23	1295.40
FE 220	220			20.71	1263.98



Innovation

High Temp

FRC
Global

FRC Global

United States

1000 N. West Street, Suite 1200 #3008
Wilmington, DE 19801

Canada

Montreal, Quebec

South America

Cali, Colombia
Phone: 011-57-310-826-2701

Asia

Dalian, China

1-800-609-5711

www.FRCglobal.com